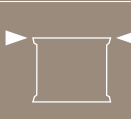



	dimensions				volume gals.	planter ref.#	saucer ref.#
								
A	Dorchester 18" x 18" Square Planter	18.00"	15.75"	13.50"	18.00"	14.25	A1745XX	A9841XXT
B	Dorchester 20" Half Planter	13.00" x 20.00"	12.00" x 18.00"	11.00" x 15.00"	21.25"	13.00	A1750XX	N/A

 QUICK SHIP COLORS IN-STOCK: SHIPS IN 48 HOURS.



SPECIAL ORDER COLORS CONTACT US FOR LEAD TIMES AND HANDLING CHARGES.

